

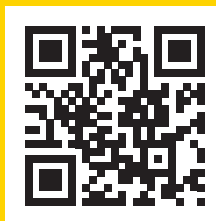


WINTER PRODUCTS



1-844-604-1396 - INFO@GRYB.COM

FOLLOW US     



GRYB.COM

GR-CA-WINTER-E-23-01





BLUE GRYB ROTATING ICEBREAKER

The Blue GRYB Rotating Icebreaker is a GRYB innovation. It reduces the use of abrasives and salt for de-icing roads and sidewalks. Crush ice quickly and efficiently with its serrated rollers and unique design using an optimized width for each job.

KEY FEATURES

- Equipped with rubber shock absorbers for shock absorption.
- Unique angled helix design using a 7-tooth serrated roller installed every half inch to avoid marking the ground.
- Abrasive and melting material reduction (green solution).
- Three times faster than standard icebreaking operation, even at low temperatures.
- Crushes ice up to two inches thick.
- Interchangeable rollers by section, which reduces servicing costs.
- Automatically adapts to ground levelling and works by inertia.

**AVAILABLE WIDTH FOR
SIDEWALKS,
ROADS AND
PARKINGS**



**IMPROVED
2023
DESIGN**



SPREADER BUCKET

GRYB spreader bucket is ideal for spreading abrasive materials such as gravel or salt on icy surfaces and slippery roads. You can now control all of your operations directly from the cab with the machine control handle! Pick up abrasive materials directly with the spreader bucket, without having to use a nother machinery to fill the bucket. Also, its optimal shape helps the materials to have a better descent. The spreader bucket combines productivity and efficiency!

KEY FEATURES

- Two independent augers allow adjusting the spread quantity and direction.
- Spreading control is done in the cab.
- Available in one model only.

RECOMMENDED TYPE OF ABRASIVE TO USE

- Salt, sand and mix of little rocks and salt.

**FEATURE
SCREENING
GRID THAT
BREAKS
ABRASIVE
CLUMPS.**



102 IN 3.5 YD³
WIDTH CAPACITY



SNOW PUSHER

WITH REVERSIBLE OPTION

GRYB's reversible snow pusher is a conventional model with a bottom-fixed blade. A retraction blade can be installed on top of the snow pusher to make it reversible, which increases your snow-clearing operation possibilities. With its highest durability, this snow pusher adapts to all snow-clearing operations.

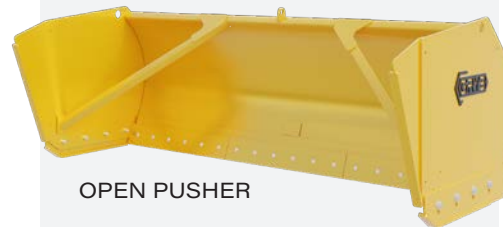
KEY FEATURES

- Different choice of blades: Teflon, high-resistance steel or icebreaker.
- Welded side panels (different lengths are available).
- Bolted anti-wear plates..

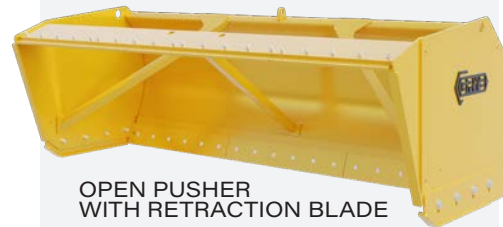
OPTIONS

- Back drags
- Flags
- Top retraction
- Trip System

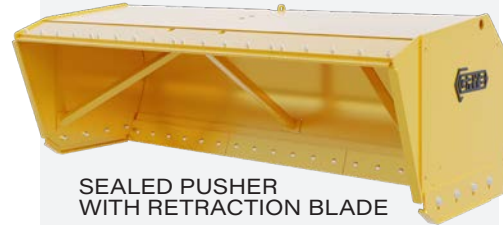
AVAILABLE IN 3 DIFFERENT MODELS



OPEN PUSHER



OPEN PUSHER WITH RETRACTION BLADE



SEALED PUSHER WITH RETRACTION BLADE

SNOW PUSHER

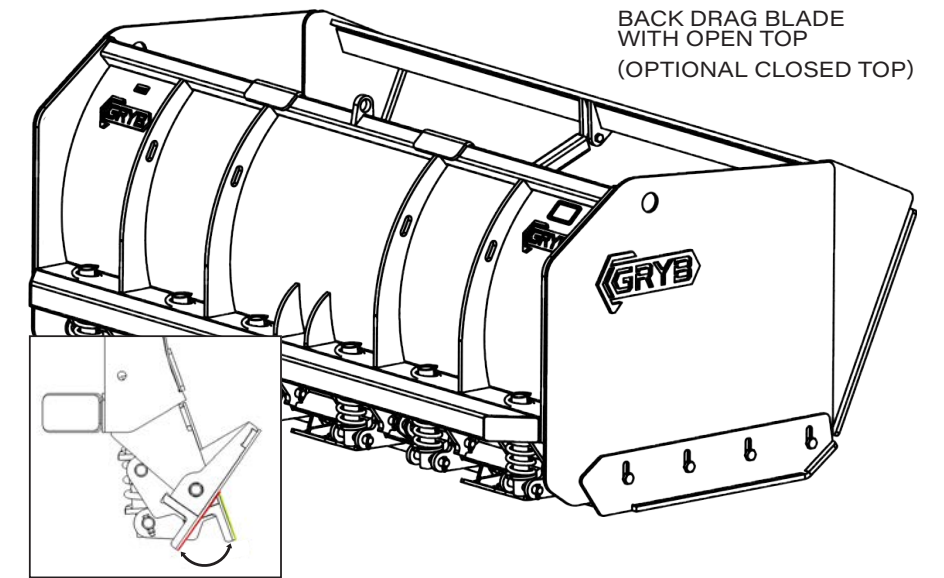
WITH TRIP EDGE SYSTEM (3 SECTIONS)

KEY FEATURES

- Robust design
- Optimal snow rolling
- Replaceable wear plates
- Adjustable wear pads

OPTIONS

- Back drag
- Flags
- Closed top



SNOW PUSHER

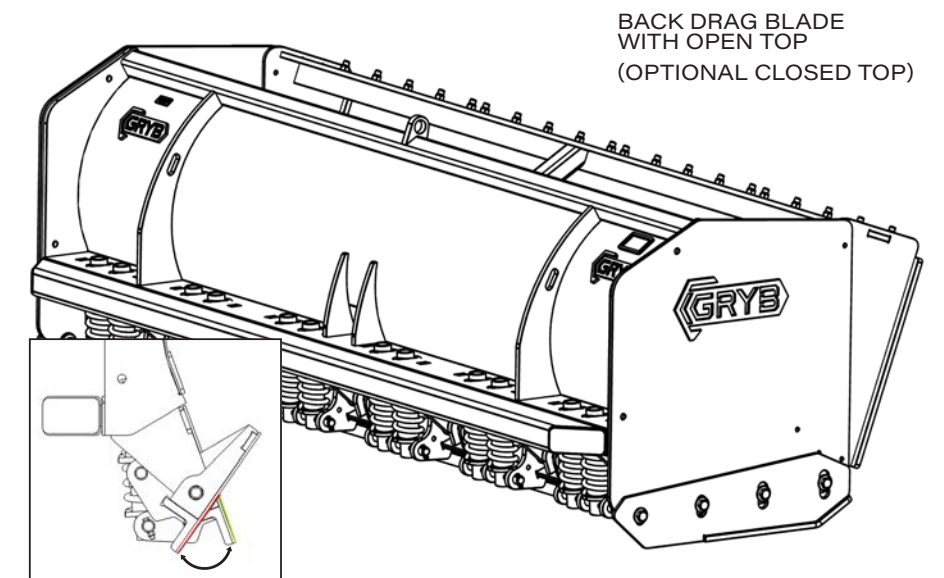
WITH TRIP EDGE SYSTEM HD (6 SECTIONS)

KEY FEATURES

- Robust design
- Optimal snow rolling
- Replaceable wear plates
- Adjustable wear pads

OPTIONS

- Back drag
- Flags
- Closed top



WINTER PRODUCTS SPECIFICATIONS



BLUE GRYB ROTATING ICEBREAKER

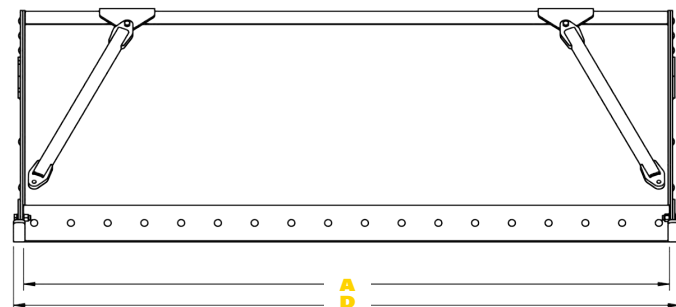
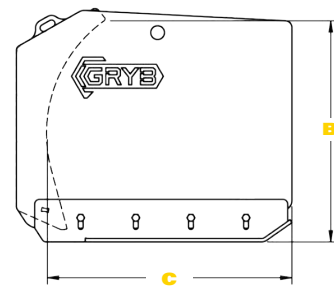
MODEL	BGR100-041006	BGR100-048007	BGR100-068010	BGR100-096014	BGR100-103015
Width Roller	41"	48"	68"	96"	103"
Width Frame	46"	53"	74"	102"	109"
Height Frame	30"	30"	30"	30"	30"
Depth Frame	37 1/4	37 1/4	37 1/4	37 1/4	37 1/4
Weight (lbs) Frame	1,600	1,900	2,700	3,700	3,900
Roller Diameter Roller	25 3/4	25 3/4	25 3/4	25 3/4	25 3/4
Qty of Rollers	6	7	10	14	15
Qty of Teeth	504	588	840	1176	1260



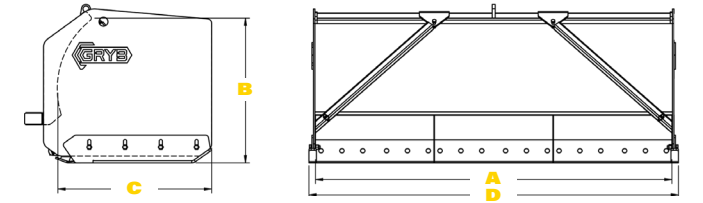
REVERSIBLE SNOW PUSHER

MODEL	DF063030	DF07-3030	DF08-3636	DF10-3636	DF10-4848	DF12-3636	DF12-4848	DF14-4848	DF16-4848
Width (A)	6'	7'	8'	10'	10'	12'	12'	14'	16'
Height (B)	30"	30"	36"	36"	48"	36"	48"	48"	48"
Side Panels (C)	30"	30"	36"	36"	48"	36"	48"	48"	48"
Overall Width (D)	76"	88"	100"	125"	125"	147"	147"	172"	197"

RECOMMENDATION BY MACHINE CATEGORY



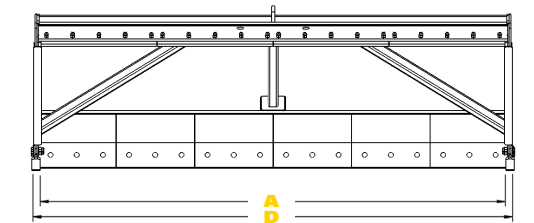
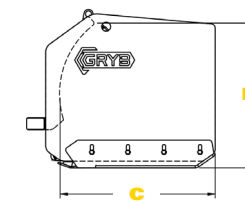
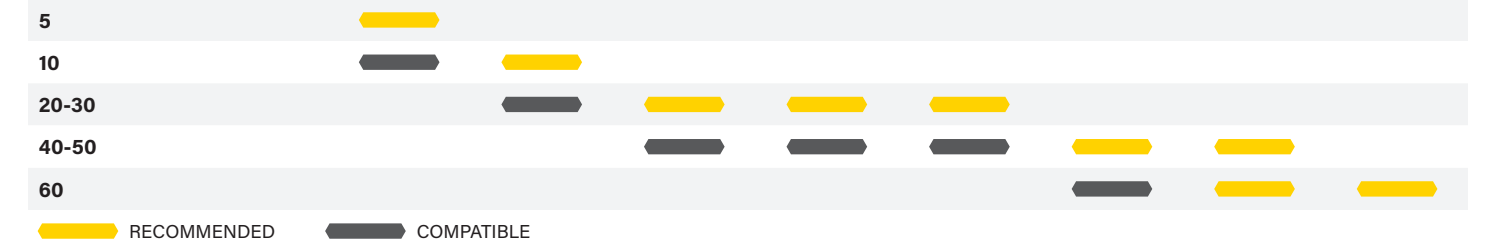
WINTER PRODUCTS SPECIFICATIONS



SHOW PUSHER WITH TRIP EDGE SYSTEM

MODEL	DD07-3030	DD08-3636	DD10-3636	DD10-4848	DD12-3636	DD12-4848	DD14-4848	DD16-4848
Width (A)	7'	8'	10'	10'	12'	12'	14'	16'
Height (B)	30"	36"	36"	48"	36"	48"	48"	48"
Side Panels (C)	30"	36"	36"	48"	36"	48"	48"	48"
Overall Width (D)	88"	100"	125"	125"	147"	147"	172"	197"

RECOMMENDATION BY MACHINE CATEGORY



SHOW PUSHER WITH TRIP EDGE SYSTEM HD

MODELS	DD10HD-3636	DD10HD-4848	DD12HD-3636	DD12HD-4848	DD14HD-4848	DD16HD-4848
Width (A)	10'	10'	12'	12'	14'	16'
Height (B)	36"	48"	36"	48"	48"	48"
Side Panels (C)	36"	48"	36"	48"	48"	48"
Overall Width (D)	125"	125"	147"	147"	172"	197"

RECOMMENDATION BY MACHINE CATEGORY

